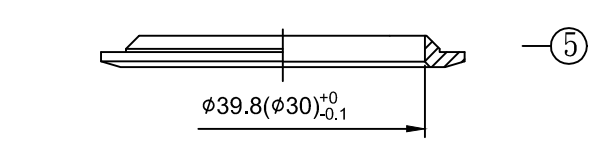
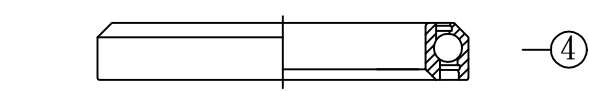
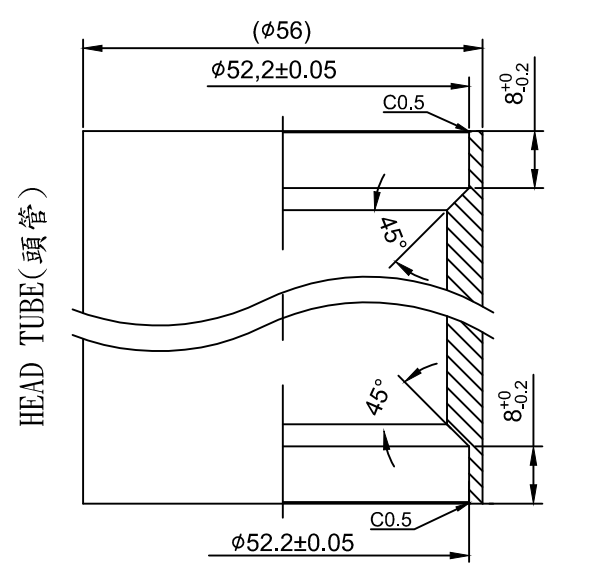
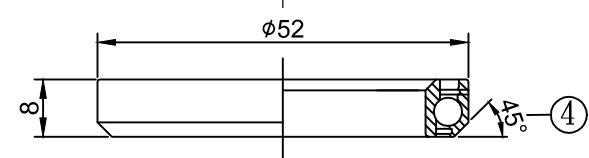
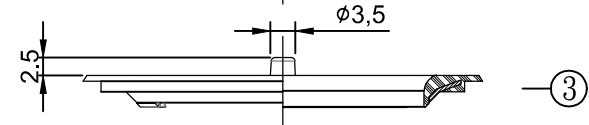
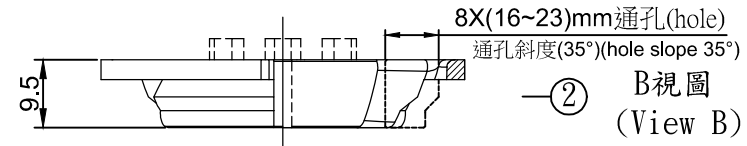
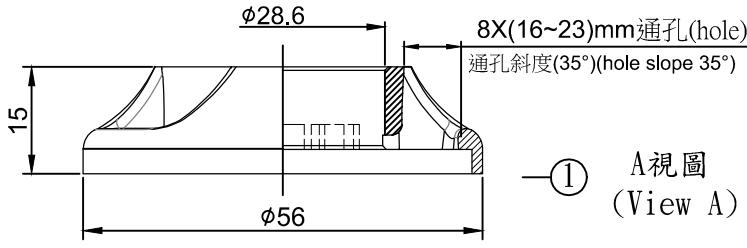
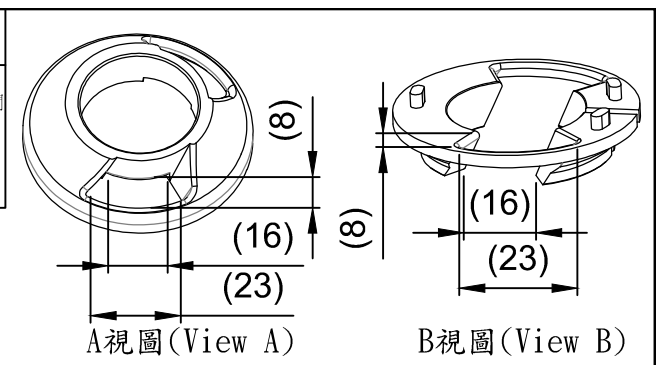
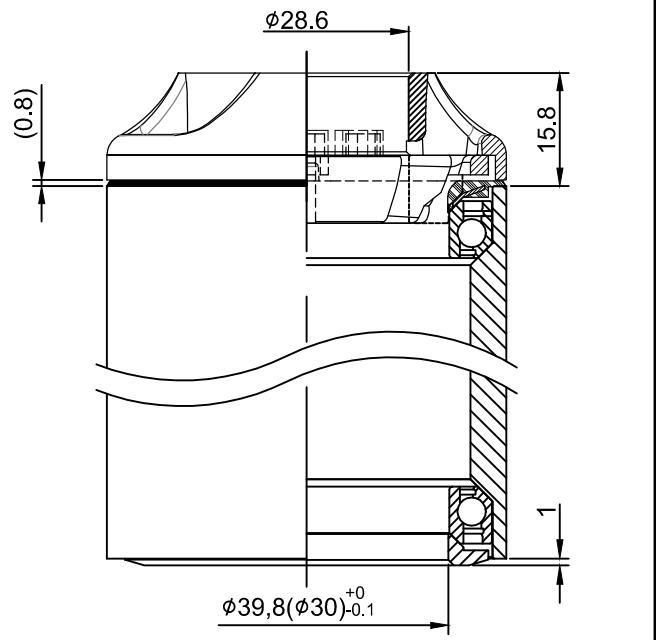


附屬零件 ACCESSORIES	塑膠薄墊片 SPACER	尼龍+纖 NYLON+FIBER	1	OD32xID29x0.55t
	用途：透過增加間隙高度使轉動更順暢 使用方式：組裝至開孔走線上塞與斜管之間 Usage: Through adding extra height to make smooth rotation How to use: Assemble in between the top cover with hole and the compression ring			



- 1-1/8" 前叉立管
- 車頭管上下半部內徑/外徑52.2/56mm
- 尼龍加纖上塞
- 鋁合金下塞(內徑39.8或30mm)
- 特大密封式軸承



堆積高度(STACK HEIGHT)=16.8±1mm

NO.	零件名稱 PART NAME	材質 MATERIAL	圖號 ITEM NO.	台量 Q'TY	尺寸 DIM. DESCRIPTION
1	開孔走線上塞 TOP COVER WITH HOLE	尼龍 NYLON	322MP-3	1	1-1/8"
2	開孔走線斜管 COMPRESSION RING WITH HOLE	尼龍 NYLON	322MP-1-2	1	1-1/8"
3	防水套 WATERPROOF	碳鋼包膠 STEEL WITH RUBBER	322-1-0	1	
4	特大密封式軸承 OVERSIZE AC SEALED BEARING	軸承鋼 SUJ2	NHB-15	2	OD52x45°x45°
5	鋁下塞 CROWN RACE	鋁合金 ALLOY	151-6 (153-6)	1	φ39.8(φ30) ⁺⁰ _{-0.1}

- For 1-1/8" upper steerer
- Headtube ID./OD. =52.2/56mm
- Nylon top cover with hole
- Alloy cnc machined crown race (inner diameter 39.8 or 30mm)
- Oversize ac sealed bearing
- IS52.2/28.6 | IS52.2/39.8(30)

單位 UNIT	mm	比例 SCALE	1:1	日期 DRAWING DATE	2022.09.15	角法 VIEW	
型號 ITEM NO.	H322MP(15L)						版次(REV):D
品名 ITEM NAME	H322MP隱藏式內走線(15L)-組立圖(Assembly drawing)						
規格 DIMENSION	1-1/8" x52.2x39.8(30)						
圖號 FIG. NO.	H322MP-組立圖-D						
誌慶工業股份有限公司							